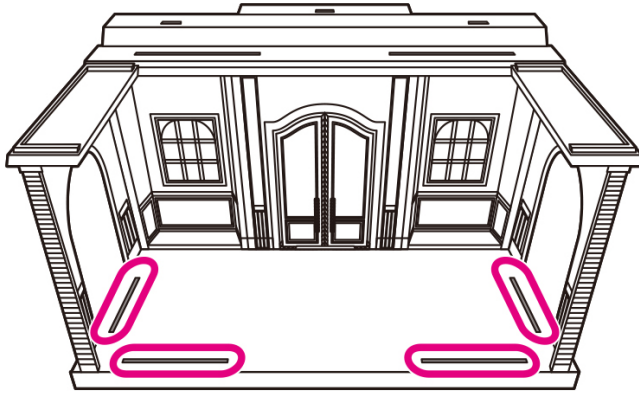
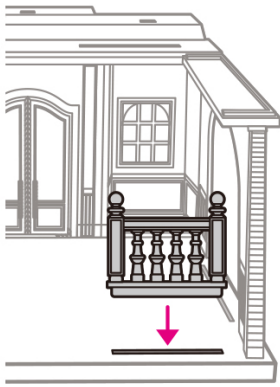
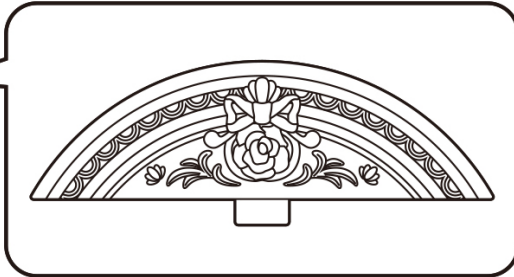
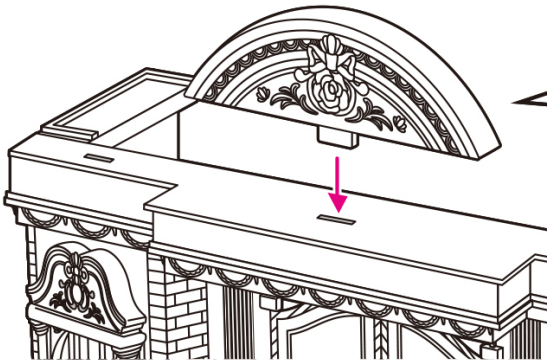


Insert the railings in any of the 4 outlined slots



Attach the roof arch to the top of the studio



Attach the custom window frames to the front of the studio

